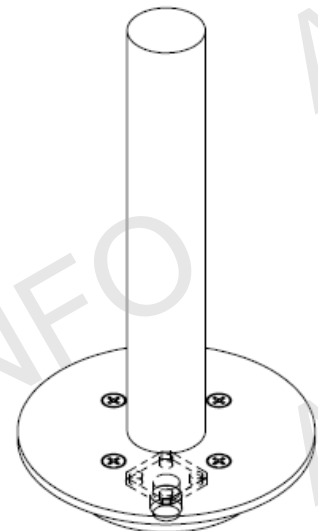
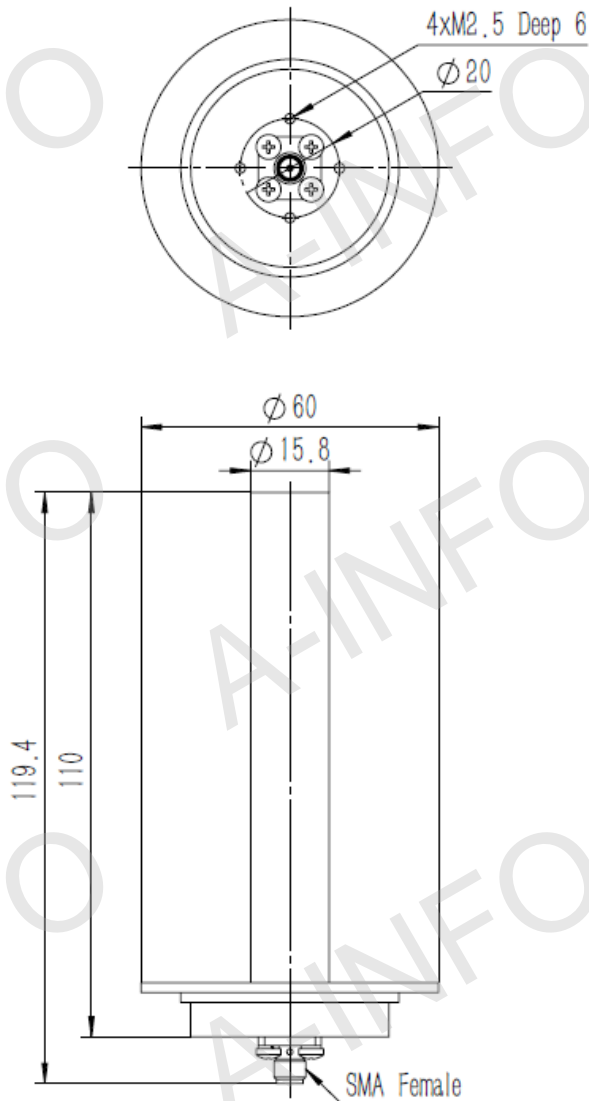


## Technical Specification



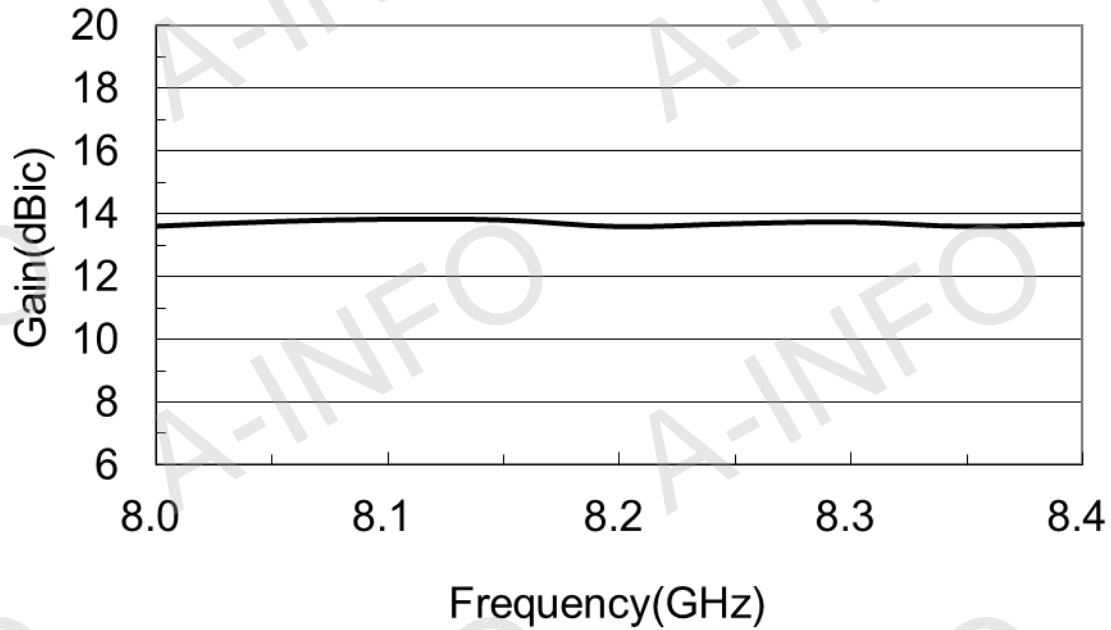
Frequency Range(GHz)	8.0-8.4
Gain(dBic)	12 Min.
Polarization	RHCP or LHCP
Axial Ratio(dB)	2.0 Max.
3dB Beamwidth(deg)	E Plane: 34 Typ.
	H Plane: 34 Typ.
VSWR	2.0:1 Max.
Connector	SMA-Female
Power Handling(W)	10 CW
Material	Al
Size(mm)	Φ60 x 119.4
Net Weight(Kg)	0.05 Around

## Outline Drawing (Size: mm)

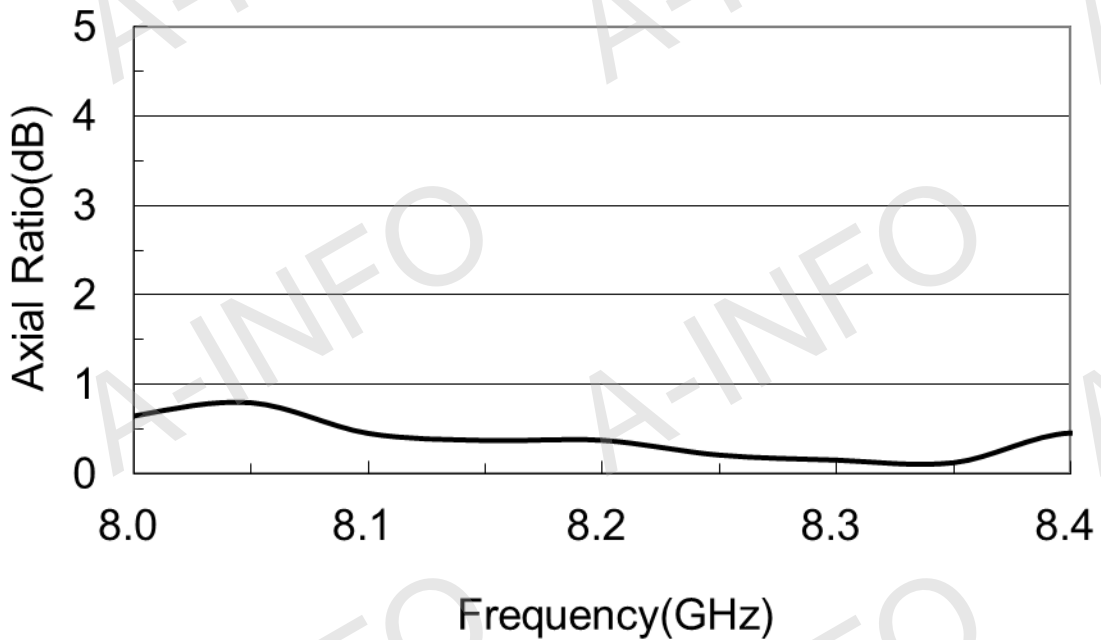


## Test Results

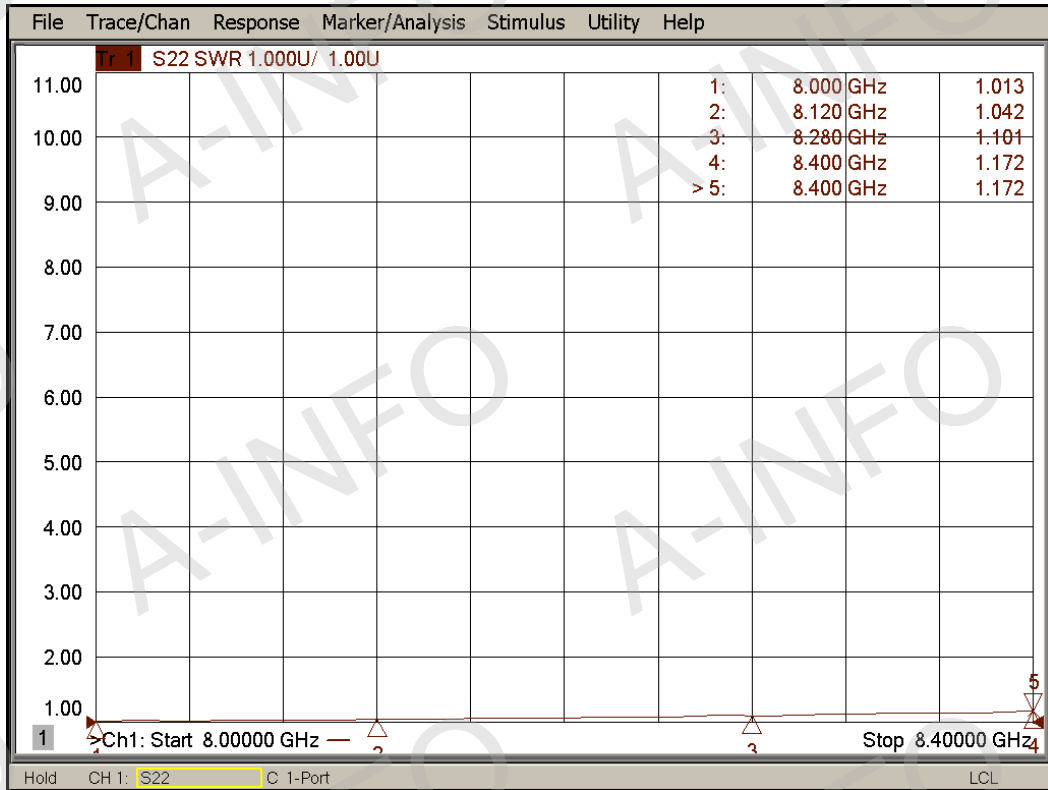
### 1. Gain



### 2. Axial Ratio



### 3. VSWR



## 4. Pattern

